

GENERAL

	PAPAYA 3D	PAPAYA 3D PLUS
Exposure Time	Panoramic	9 ~ 17 sec
	Cephalometric	—
	CT	7.7/14.5 sec
FOV	Φ35 x 40mm ~ Φ140 x 140mm (19 programs available)	
Voxel Size	75~400 μm adjustable	
Focal Spot	0.5mm	
Target Angle	5°	
Tube Voltage	60 ~ 90kV	
Tube Current	4~12 mA	
Line Voltage	220V, 50/60Hz	

SENSOR

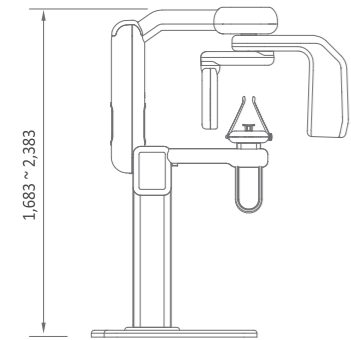
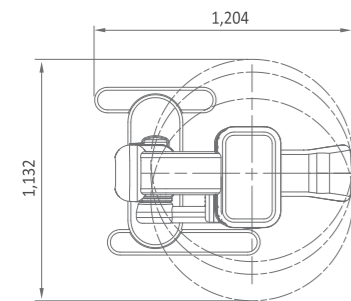
	CT	Panoramic	Cephalometric
Pixel Pitch	100 x 100 μm	75 x 75 μm	75 x 75 μm
Active Area	130.2 x 128 mm	152 x 6.45 mm	228 x 6.45 mm

* The specification maybe subject to improvement

Technical Specifications

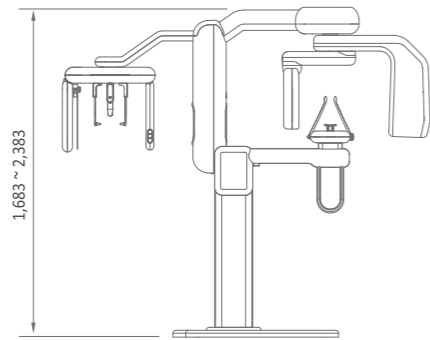
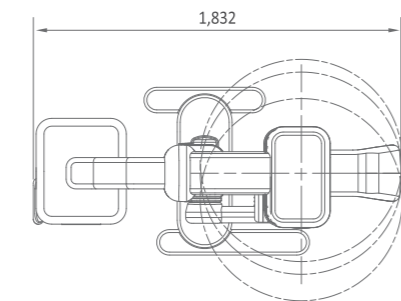
Dimensions

PAPAYA 3D



1,204 x 1,130 x 2,383 mm
145 kg

PAPAYA 3D PLUS



1,832 x 1,130 x 2,383 mm
160 kg



PAPAYA 3D PLUS

Combination Imaging System



3D CT
Panoramic
Cephalometric

- Multi-FOV Selection
- 7.7 sec Fast Scan for 3D image
- Dedicated sensor for each mode
- Safety, stability, durability

